

SANITARY 3-WAY BALL VALVES

SANITARY DIVERTER SERIES



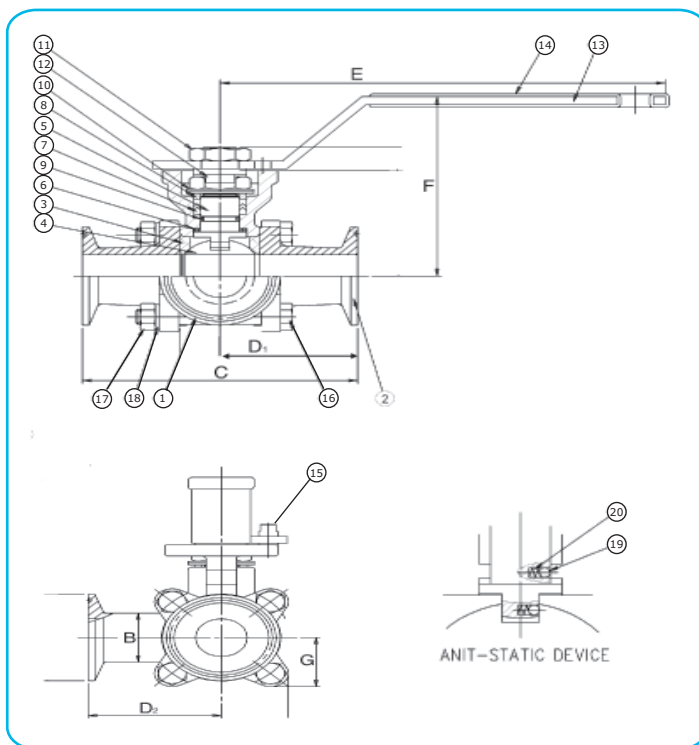
EA - 3308 - SN - L/T



FEATURES/SPECIFICATIONS:

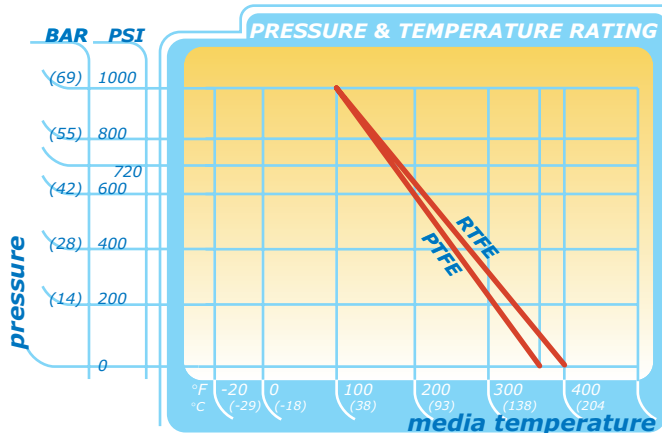
- ASTM 316 Stainless construction
- Meets FDA & USDA requirements
- Live loaded self adjusting packing and blowout proof stem design
- Direct ISO mounting of actuation eliminates need for brackets and couplers
- Highly polished I.D. (8-12Ra)
- Full port (no internal taper)
- High Quality investment cast body and caps
- Standard with Tri-clamp ends, other ends available
- Diverts to "L" port or "T" port flow patterns
- Sizes: 1" - 4"

Item	Part Name	Material	Qty
1	body	CF3M/316L	1
2	end caps	CF3M/316L	2
3	seats	PTFE	2
4	ball	SUS 316	1
5	stem	SUS 316	1
6	gasket	PTFE	1
7	seal	PTFE	1
8	gland ring	SUS 304	2
9	O-ring	VITON®	1
10	bellevalle spring washer	SUS 301	2
11	lever nut	SUS 304	2
12	locking tab	SUS 304	1
13	handle	SUS 304	1
14	plastic coating	PVC	1
15	stop screw	SUS 304	1
16	bolts	SUS 304	4
17	bolts nut	SUS 304	4
18	spring washer	SUS 304	4
19	static device	SUS 316	2
20	spring	SUS 316	2



*See flow chart on page 9

Size _{mm}	B	C	D ₁	D ₂	E	F	G	ISO5211	Stem	weight lbs.
1	28.6	114.3	57.15	56.6	185	92	28.5	F04/F05	11	3.5
1.5	34.8	139.7	69.85	62.0	220	112	38.98	F05/F07	14	6
2	47.5	158.8	79.5	79.5	220	121	46.3	F05/F07	14	9.5
3	73.1	228.6	114.3	114.3	350	168.5	73.8	F07/F10	17	29
4	97.4	241.3	120.7	120.7	350	183.5	88	F07/F10	17	44



EA - 3308 - SN - L/T