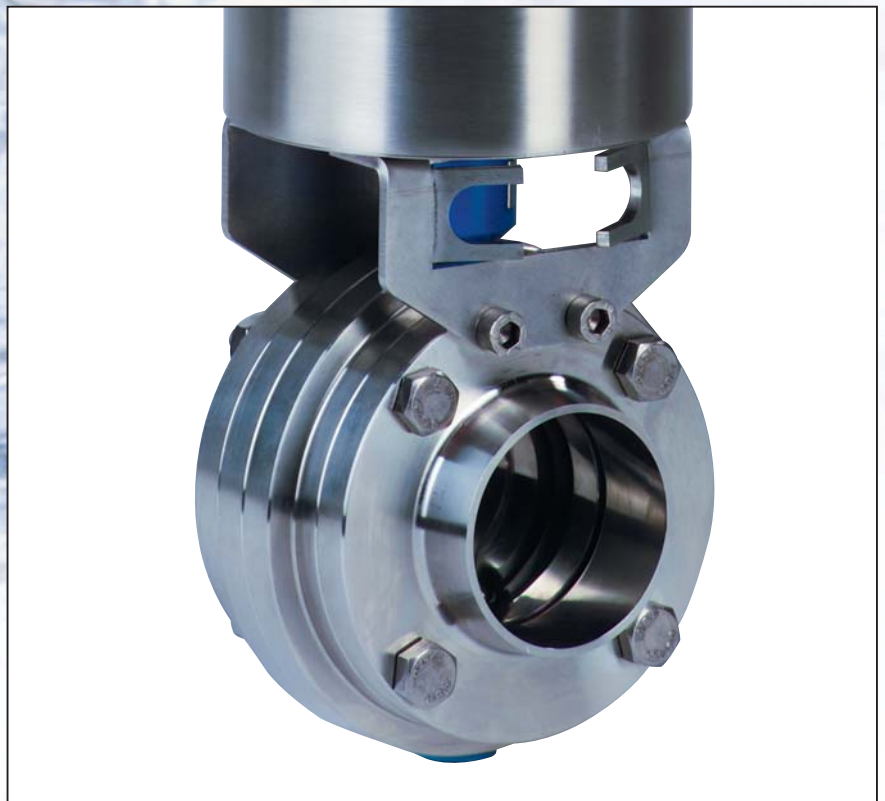


# ECOVENT<sup>®</sup>-S Butterfly Valves



Process Equipment

**GEA Tuchenhagen**

## ECOVENT®-S Butterfly Valves

GEA Tuchenhausen Butterfly Valves have proven successful in process plants for many years as a cost-effective shut-off device in valve blocks and panels for product, CIP and tank safety.

The Butterfly Valve ECOVENT®-S is a further development and offers a wide range of optimisations to the benefit of the user: Improved hygiene, ease of maintenance, reduced cleaning times, reduced installation and maintenance input to the advantage of increased production.



ECOVENT®-S with pneumatic actuator and control system T.VIS®



ECOVENT®-S with manual actuator

### Advantages of the ECOVENT®-S Butterfly Valve

- Pneumatic valve actuation with new features
  - optimised fixing plates
  - optimised indication of the disk position
  - maintenance-free pneumatic actuators
  - easy to install
- Innovative hand lever with backlash-free guidance
- Innovative design of the intermediate flange connection
  - reduced installation space due to compact construction
  - hygienic exterior design

### ECOVENT®-S Specifications

Butterfly Valve types:

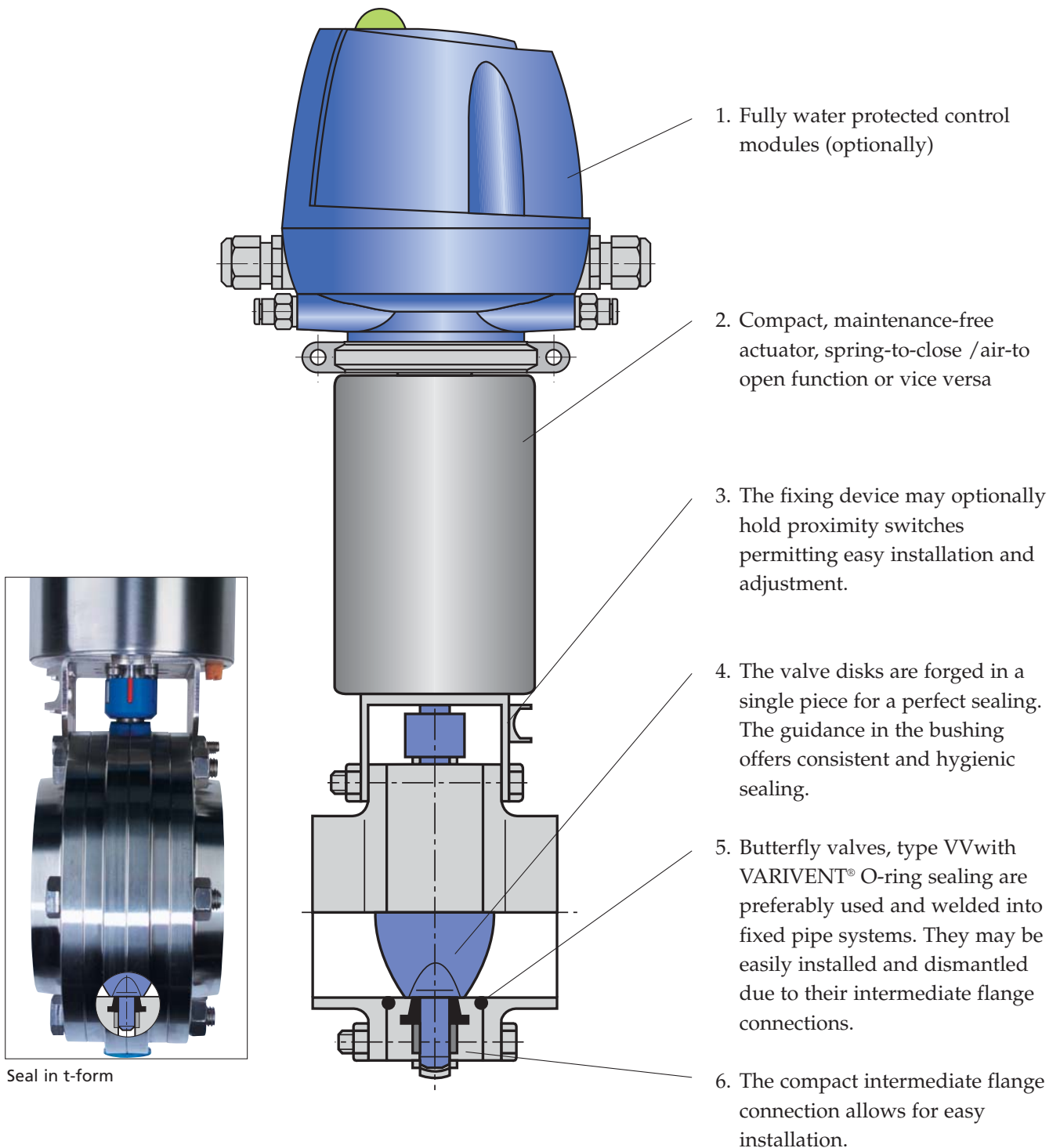
VV, SS, GS, GG, CC, KS, GK, KK

Actuators:

manual actuator, pneumatic actuator

Feed back systems:

proximity switches, control system T.VIS®



**Technical Data**

**Pressures**

- Product pressure: max. 10 bar
- Control air pressure: min. 4.8 bar, max. 8.0 bar

**Materials**

- Product contacted parts 1.4404 (316L), optionally 1.4307 (304L), (not for type VV in Inch OD)

- Non product contacted parts 1.4307 (304L)
- Seals (FDA approved) EPDM optionally FPM, Silicone, other on request

**Surface finish of product contacted parts**

- $R_a \leq 0.8 \mu\text{m}$

**Nominal widths**

- Metric DN 25 – DN 150, Inch OD 1" – 4"



Process Equipment

**GEA Tuchenhagen GmbH**

Am Industriepark 2-10, 21514 Büchen, Germany

Phone +49-4155 49-0, Fax +49-4155 49-2428

sales.geatuchenhagen@geagroup.com, [www.tuchenhagen.com](http://www.tuchenhagen.com)

Fa 631e-05/08