



# P-BE Stainless Steel Tank Vent Filter Housing

*Filter housing for the aeration and de-aeration of sterile storage tanks or containers for transport.*

## Product description

Our P-BE filter housings are used for sterile ventilation of stationary and mobile storage tanks used in the food, beverage, pharmaceutical, chemical and other industries. The 2-piece housing is designed to prevent liquids from coming into contact with the element itself.

The P-BE tank vent filter is available in 12 sizes with flow rates ranging from 1 to 1,200 cfm (at ambient pressure).

## Choose the Filter to Suit Your Application

The P-BE vent housing is usually used in conjunction with our Ultradepth II P-BE vent filter element to assure sterile ventilation with very little pressure drop or air resistance. However, it can be used with many other filter types to meet your specific need.



**P-BE stainless steel housing for venting storage and holding tanks. Can accommodate a variety of filter element types**

### Materials

Filter housings	304 or 316L stainless steel
-----------------	-----------------------------

### Maximum operating temperature

390°F
-------

### Connection types

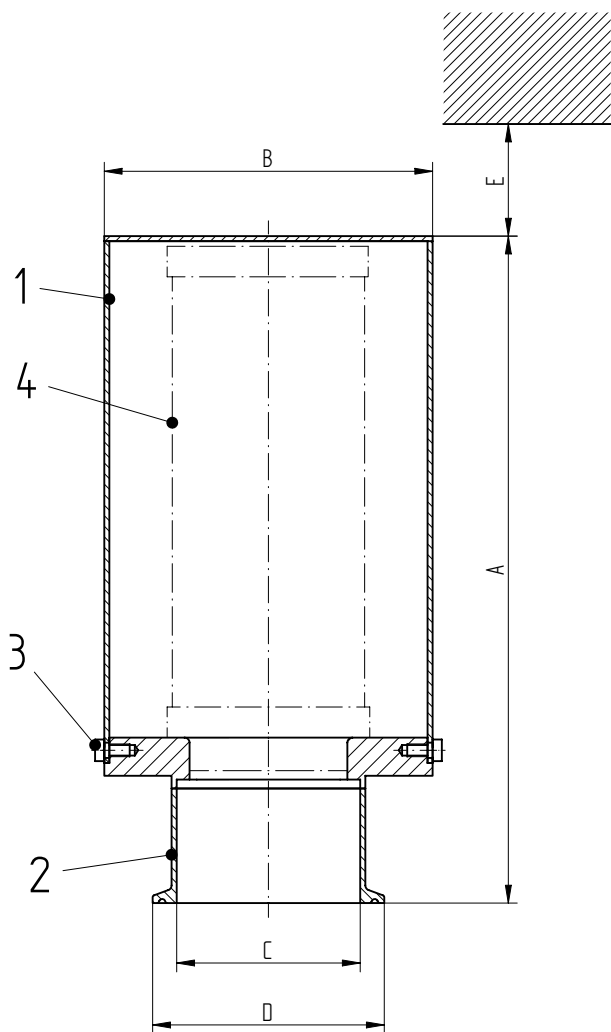
Tri-Clamp (models 0006 - 0192) ANSI flange (models 0432 - 1920)
--

### Surface finish

Electropolished to Ra 30
--------------------------



Vent filter P-BE 0006-0192  
with Tri-clamp connection



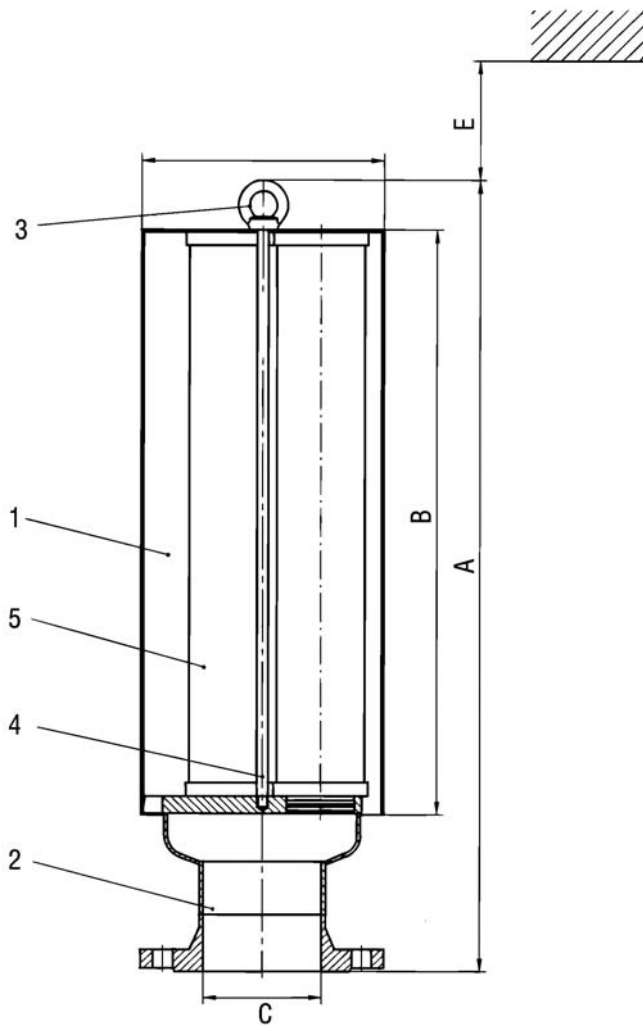
Pos.	Piece	Description
1	1	upper housing bowl
2	1	lower housing bowl
3	3	socket head screw
4	1	filter element

Max. operating temperature	390°F
<b>Material</b>	
Housing:	304 or 316L stainless steel
Attaching parts:	304 stainless steel
<b>Surface Finish</b>	
	Finished inside, polished outside

Dimensions							
Size	Weight* (lb)	A (inches)	ØB (inches)	C (inches)	ØD (inches)	E (inches)	Element
0006	3.3	4.7	3.3 x 0.08	1.5	2	4	03/10
0027	4.8	7.1	4.1 x 0.08	1.5	2	6.1	05/25
0032	5.3	7.1	4.5 x 0.08	2	2.5	6.1	05/30
0072	7.3	12.2	5.1 x 0.08	2	2.5	11	10/30
0144	20.3	22.8	5.1 x 0.08	3	3.6	22.8	20/30
0192	25.6	32.7	5.1 x 0.08	3	3.6	33.5	30/30

\*Without filter element

Vent filter P-BE 0432-1920  
with ANSI flange connection



Pos.	Description
1	upper housing bowl
2	lower housing bowl
3	lifting eye screw
4	anchor bolt
5	filter element

Max. operating temperature	390°F
<b>Material</b>	
Housing:	304 or 316L stainless steel
Attaching parts:	304 stainless steel
<b>Surface Finish</b>	
Finished inside, polished outside	

Dimensions							
Type	Weight* (lb)	A (inches)	B (inches)	C 150 lb, ANSI B 16.5 (inches)	ØD (inches)	E (inches)	Element
0432	32.5	26.4	20.9	4	8.7	21.6	3 x 20/30
0576	39	36.4	30.7	4	8.7	31.5	3 x 30/30
0768	46.5	36.8	30.7	4	10.8	31.5	4 x 30/30
1152	66.5	37.4	30.7	6	12.8	31.5	6 x 30/30
1536	89	37.4	30.7	6	15.5	31.5	8 x 30/30
1920	95.5	37.8	30.7	8	15.5	31.5	10 x 30/30

\*Without filter element



**P-BE Stainless Steel  
Tank Vent Filter Housing**



*when* **PURITY COUNTS...**



**Donaldson**  
*Filtration Solutions*

Donaldson Company, Inc.  
Process Filtration  
P.O. Box 1299  
Minneapolis, MN  
55440-1299 U.S.A.

Tel 800.543.3634 (USA)  
Tel 800.343.3639 (within Mexico)  
processfilters@mail.donaldson.com  
www.donaldson.com

Information in this document  
is subject to change without notice.

© 2007 Donaldson Company, Inc.  
Printed in U.S.A. on recycled paper

Bulletin No. PRO-213