

PG-IL Sanitary In-line Filter Housing

Stainless steel filter housing for sanitary gas and liquid applications.

Product description

PG-IL in-line filter housings are designed for sanitary filtration of liquids and gases in installations where traditional t-style housings are not practical. The slim, compact design of PG-IL housings allows them to be installed in tight spaces and, when used in gas service, either in a vertical or horizontal orientation. The housings are equipped with 1½ Tri-clamp inlet and outlet connections and ½ Tri-clamp vent/drain ports. Internal and external surfaces are electropolished to Ra 30.

PG-IL housings are available in four sizes with a capacity range of 215 to 1,290 scfm for gas applications, and 2-15 gpm for liquid. Standard housings utilize Code 7 (P7) filter elements with 226 o-rings, bayonet connection and centering fin adapter. A broad range of filter element types are available to meet your specific compatibility and micron rating requirements.



PG-IL In-line Filter Housing for sanitary filtration of gases and liquids

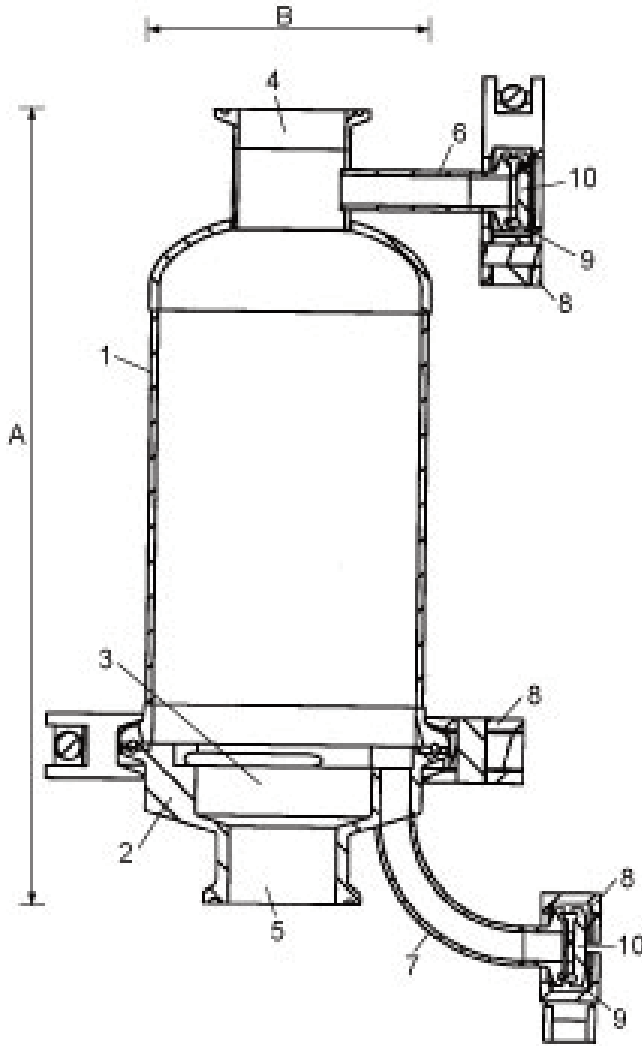
Materials	
Filter housings	316L SS standard; 304 SS optional
Housing Gasket	EPDM standard; other material optional

Maximum operating pressure	
Gas	150 psig
Liquid	250 psig

Maximum operating temperature	
300°F standard	
For higher temp., consult factory	

Surface finish	
All models electropolished to Ra 30	

Connection types	
Inlet/Outlet	1½" Tri-clamp
Vent/Drain	½" Tri-clamp



Pos.	Description
1	Upper housing bowl
2	Lower housing bowl
3	Filter element socket (P7)
4	Inlet
5	Outlet
6	Vent
7	Vent/drain
8	V-clamp
9	Clamp gasket
10	Vent/drain cap

Max. operating pressure
150 psig gas; 250 psig liquid

Max. operating temperature
300°F (higher on request)

Material
Housing 316L SS standard;
304 SS optional
Gaskets EPDM standard;
other materials optional

Surface finish
Inner and outer electropolished to Ra 30

Dimensions					
Size	A (inches)	B (inches)	Inlet/Outlet (Tri-clamp)	Vent/Drain (Tri-clamp)	Element
0005	10	3.5	1.5	.5	5/3 Code 7
0010	15	3.5	1.5	.5	10/3 Code 7
0020	25	3.5	1.5	.5	20/3 Code 7
0030	35	3.5	1.5	.5	30/3 Code 7