



Mini Fittings



Stainless Steel Flow Control Equipment for the
Food, Beverage, Dairy, Cosmetics, Biotechnology,
Pharmaceutical and Electronics Processing Industries

Mini Fittings (non-BPE)



Clamp Type Fittings

Special clamp type fittings are available to meet the stringent needs of the biotechnology, pharmaceutical, electronics and cosmetic industries. Produced of type 316L stainless steel, the units have an exceptionally fine 32RA ID & OD finish. Other finish to 10RA plus electropolish is available in the BPE Clamp Section.

2CMP-90-ELBOW 2KMP-45-ELBOW

7MP-TEE

SIZE (TUBE O.D.)	2CMP A	2KMP B	7MP C D	
1/2	3-1/2	2-3/4	2-5/8	5-1/4
3/4	3-1/2	2-3/4	2-5/8	5-1/4

16AMP END CAP 14 WMP & TL14AM7 WELD FERRULES

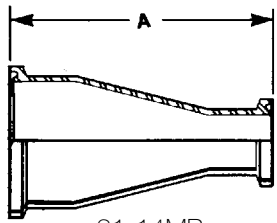
OUTSIDE DIA. (TUBE O.D.)	16AMP A	14WMP B	L14AM B
1/2	.187	1/2	2
3/4	.187	1/2	2

GASKET

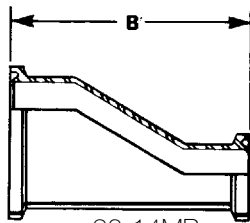
SIZE (TUBE O.D.)	A
1/2	.859
3/4	.859

13LAH-HEAVY DUTY CLAMP

SIZE (TUBE O.D.)	A
1/2	1-1/8
3/4	1-1/8

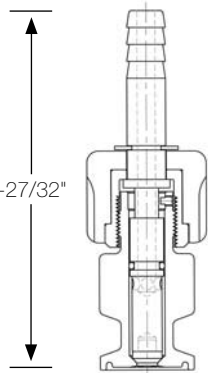


31-14MP
CONCENTRIC REDUCER

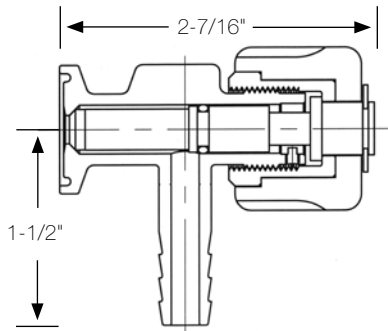


32-14MP
ECCENTRIC REDUCER

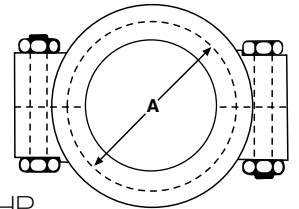
SIZE (TUBE O.D.)	31-14MP	32-14MP
	A	B
3/4 x 1/2	2	2
1 x 1/2	2-1/2	2-1/2
1 x 3/4	2	2
1-1/2 x 1/2	3-1/2	3-1/2
1-1/2 x 3/4	3	3
2 x 1/2	5-1/2	5-1/2
2 x 3/4	3	3



SAMPLING VALVES



SEE VALVE SECTION



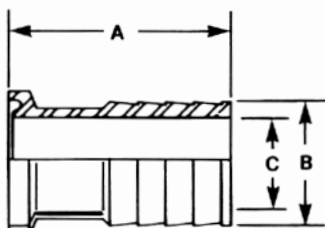
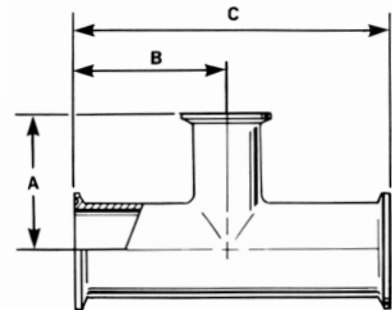
13MHP -
MINI HIGH PRESSURE CLAMP

SIZE	A	STOCK NO.
1/2	1-1/8	329907HP (304 SS)
3/4	1-1/8	329907HP (304 SS)

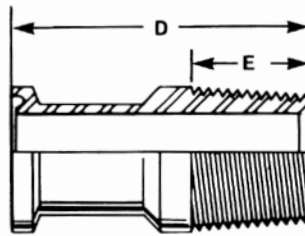
*316L AVAILABLE UPON REQUEST

7RMP – REDUCING TEE (Reduced Size on Branch)

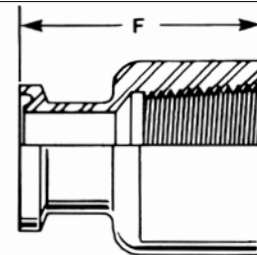
SIZE	A	B	C	STOCK NO.
3/4 x 1/2	2-1/2	2-1/2	5	381107R05-7
1 x 1/2	2-5/8	2-5/8	5-1/4	381110R05-7
1 x 3/4	2-5/8	2-5/8	5-1/4	381110R07-7
1-1/2 x 1/2	2-7/8	2-7/8	5-3/4	381115R05-7
1-1/2 x 3/4	2-7/8	2-7/8	5-3/4	381115R07-7
2 x 1/2	3-1/8	3-3/8	5-3/4	381120R05-7
2 x 3/4	3-1/8	3-3/8	6-3/4	381120R07-7



14MPHR-HOSE ADAPTER



21MP-MALE ADAPTER



22MP-FEMALE ADAPTER

SIZE (TUBE O.D.)	14MPHR			21MP		22MP
	A	B	C	D	E	F
1/2 x 1/8	1.500	.147	.062	2.000	.3924	1.250
1/2 x 1/4	1.500	.312	.187	2.000	.5946	1.500
1/2 x 3/8	1.500	.405	.218	2.000	.6006	1.500
1/2 x 1/2	1.500	.540	.375	2.000	.7815	1.500
1/2 x 3/4	1.500	.840	.625	2.000	.7935	1.625
3/4 x 1/8	1.500	.147	.062	2.000	.3924	1.250
3/4 x 1/4	1.500	.312	.187	2.000	.5946	1.500
3/4 x 3/8	1.500	.405	.218	2.000	.6006	1.500
3/4 x 1/2	1.500	.540	.375	2.000	.7815	1.500
3/4 x 3/4	1.500	.840	.625	2.000	.7935	1.625

TOP LINE

PROCESS EQUIPMENT COMPANY

... the source for
all your product needs
in the process industries

Contact your Top Line Representative for Assistance

Office: P.O. Box 264 · Bradford, PA 16701

Plant: 21 Valley Hunt Drive · Lewis Run, PA 16738

800-458-6095

814-362-4626

Fax: 814-362-4453

PUMPS & STRAINERS- Centrifugal, Rotary Lobe, Filters and Strainers



VALVES - Manual, Actuated, Diaphragm



FITTINGS - Clamp, Sanitary Butt Weld, Bevel Seat, Tube OD Butt weld, Custom, Biopharm



TUBING, GAUGES, SIGHT GLASSES, BRAIDED HOSE



www.toplineonline.com