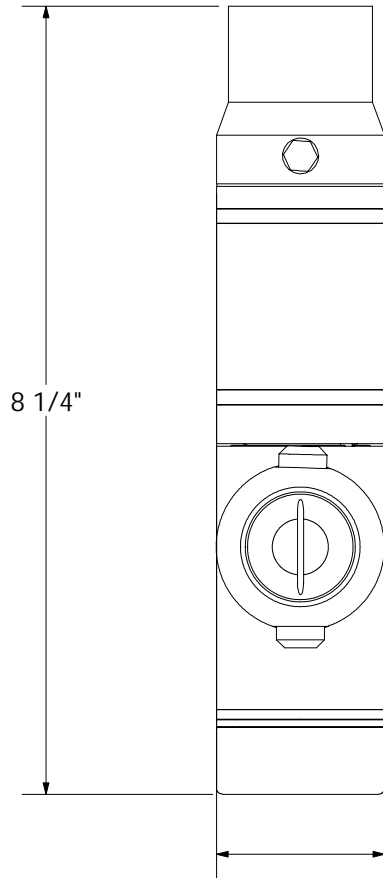
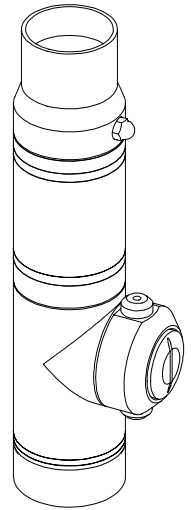
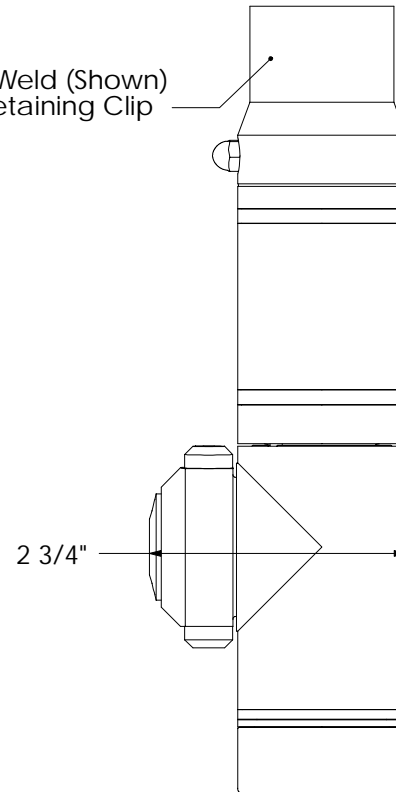


Notes:

- 316 SS, 18-8 Fasteners, Plastics, and Elastomers
- Weight: 4 lbs.
- Dual (Shown) and Triple Nozzle Available
- Nozzle Sizes: Range from 1/8" to 1/4"
- Flow Range: 5 to 40 GPM
- Pressure Range: 10 to 700 PSIG
- Min Full Wash Cycle: 10 minutes
- Clearances: Min: 2.8", Fixed-Centerline: 3-3/4"



Inlet: 1-1/2" Butt Weld (Shown) or 1" Slip-Joint/Retaining Clip



UNLESS OTHERWISE SPECIFIED
 * DIMENSIONS ARE IN INCHES
 * [] DIMENSIONS ARE mm
 * DEBURR ALL SURFACES
 * FILLET RAD.: 0.015
 * TOLERANCES:
 .XX ±0.01
 .XXX ±0.005
 ANGLE ±0.5°

GAMAJET CLEANING SYSTEMS, INC.

2485 Yellow Springs Road
 Building One
 Malvern, PA 19355

TITLE **Cut Sheet**

EQUIPMENT **Aseptic 6**

DWG. NO. **GJ Aseptic 6** SHEET **1 OF 1**

THIS DRAWING IS THE PROPERTY OF GAMAJET CLEANING SYSTEMS, INC. REPRODUCTIONS AND USE OTHER THAN BORROWER'S AGREEMENT IS PROHIBITED. THIS DOCUMENT SHALL NOT BE LENT OR DISPOSED OF DIRECTLY OR INDIRECTLY NOR USED FOR ANY PURPOSE OTHER THAN THAT WHICH IS SPECIFICALLY FURNISHED.

DRAWN	DATE	Rev.	Description
BFG	10/12/01	1	New Drawing

MATERIAL:
See Notes

FINISH (UNLESS OTHERWISE SPECIFIED):
32 Ra

SCALE: 1:2