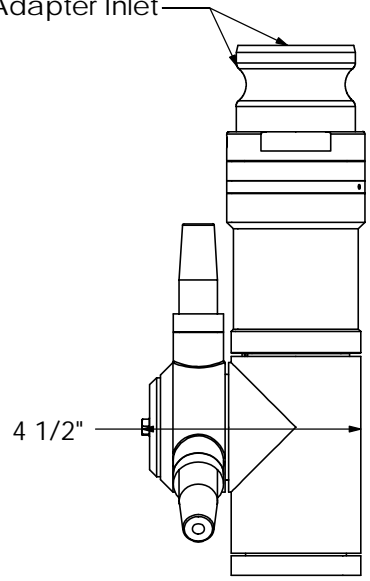


Combo 1-1/2" NPT/
2" Camlock Adapter Inlet



- Notes:
- 316 SS, 18-8 Fasteners, Plastics, and Elastomers
 - Weight: 14-1/2 lbs.
 - Dual and Triple (Shown) Nozzle Available
 - Nozzle Sizes: range from 1/4" to 1/2"
 - Flow Range: 25 to 100 GPM
 - Pressure Range: 20 to 1000 PSIG
 - Min Full Wash Cycle: 8 minutes

		Insertion Clearance (Inches)	
		Dual	Triple
Free Hand	Clutch	4-3/4	6-3/4
	Pin	8-1/2	7-3/4
Fixed Center Line	Clutch	6-1/2	8-7/8
	Pin	9-3/4	9-3/4