



CHICAGO STAINLESS EQUIPMENT





PHARMA-FLOW

PHARMACEUTICAL PRESSURE GAUGES

As the oldest and one of the largest manufacturers of sanitary pressure gauges, we have applied our experience in the design of an outstanding pressure gauge specifically for pharmaceutical applications. The Pharma-Flow Pressure Gauge is built to withstand the strict requirements of pharmaceutical plants, and function for many years with little or no maintenance. Our dedication to quality is not only evident in our products, but also in our customer service. We offer immediate availability on all products at reasonable prices.

FEATURES

- 316L Stainless Steel Sanitary Fittings & Diaphragm assures maximum corrosion resistance while providing the most sanitary construction possible.
Totally Flush Diaphragm with a mirror-like finish and no sharp corners makes this the industry's most sanitary pressure gauge available.
304 Stainless Steel Case for durability even in the roughest environments.
Polycarbonate Lens is virtually impervious to cracks and breakage.
Waterproof Construction throughout allows gauge to be submersed for cleaning.
C.I.P. - can be cleaned in place for convenience and to eliminate the possibility of damage from mishandling.
Pressure Ranges from 30" Hg vacuum to 1,000 psi.
True Zero with Re-Zero Feature is standard on all gauges.
Unique Pulsation Dampening System eliminates pointer oscillations and insulates the gauge movement from pulsations which shorten the life of an ordinary pressure gauge.
Glycerine Fill is standard to protect the gear mechanism against wear and vibration.
500°F Maximum process temperatures (260°C)*.
Immediate Availability from stock for all pressure gauges.
Experienced Engineers are available to answer questions and solve difficult application problems.
Unparalleled Customer Service where the customer is always right and we are not happy until the customer is satisfied. No restocking charges plus 30 day no-risk trials are always available.

SPECIFICATIONS

Table with 2 columns: Specification and Value. Includes Accuracy (±0.75% of Full Scale), Over Range Capability (30%), Wetted Surfaces (316L Stainless Steel), Surface Finish (Ra,max = 8 microinches), Case Material (304 Stainless Steel), Dial Sizes (2 1/2" (63mm), 3 1/2" (90mm) or 5" (120mm) Dia.), Lens Material (Polycarbonate), Temp. Limits (0°F (-18°C) to 250°F (121°C)*), Standard Fill (Food Grade Glycerine), Rezero Feature (Standard on Pointer), Shipping Weight (Approx. 3 lbs. (1.3kg)).

AVAILABLE RANGES (psi)

Table with 3 columns of pressure ranges: 0 to 30, 0 to 60, 0 to 100, 0 to 160, 0 to 200, 0 to 300, 0 to 400, 0 to 600, 30"-0-30, 30"-0-100, 30"-0-150, 30"-0-200, 30"-0-300. Includes note: Standard scales are in PSI only, dual PSI/BAR and other scales available upon request.

AVAILABLE FITTINGS

Tri-Clamp®, Cherry-Burrell "I" Line, Cherry-Burrell "Q", APC "K" Clamp, G & H "H" Line.

For other fittings please consult factory.

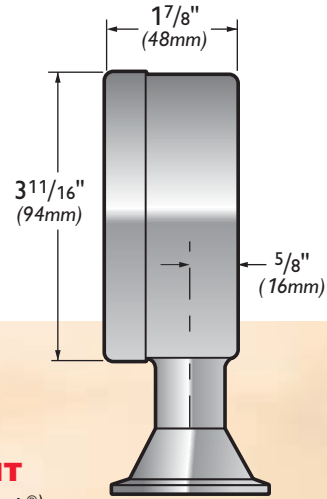
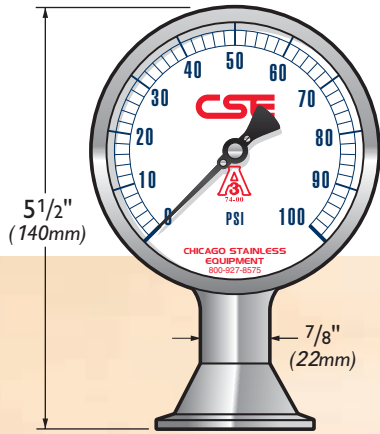


*For high temperature applications please consult factory.

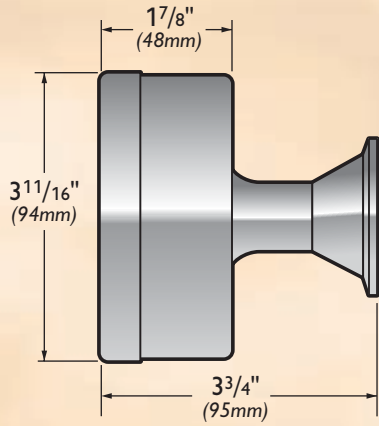
Tri-Clamp® is a registered trademark of Tri-Clover, Inc.

3 1/2" GAUGE

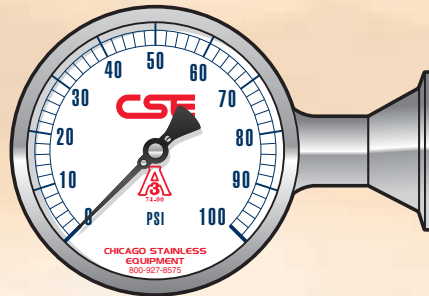
(90mm)



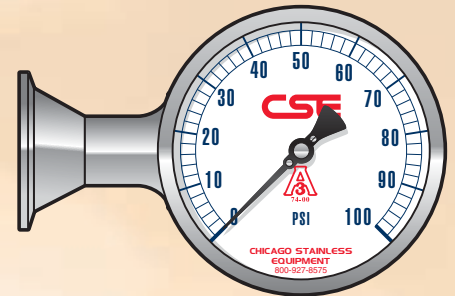
BOTTOM MOUNT
(shown with 1 1/2" Tri-Clamp®)



BACK MOUNT
(shown with 1 1/2" Tri-Clamp®)



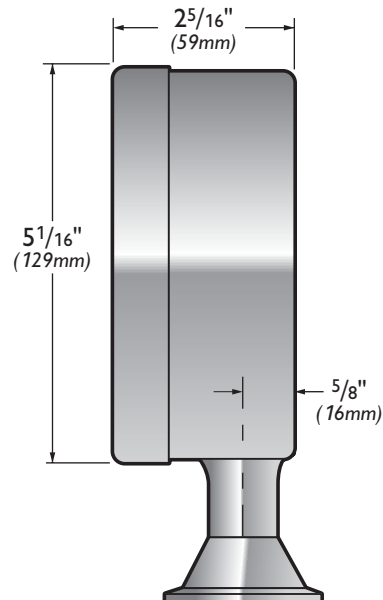
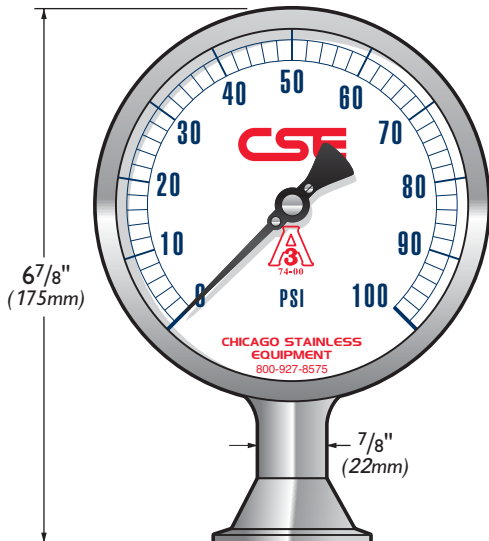
RIGHT SIDE MOUNT
(shown with 1 1/2" Tri-Clamp®)



LEFT SIDE MOUNT
(shown with 1 1/2" Tri-Clamp®)

5" GAUGE

(120mm)





PHARMA-FLOW

PHARMACEUTICAL PRESSURE GAUGES ORDERING INFORMATION

Below are typical examples of models with their descriptions.

EXAMPLE 1: 3P - E - 2U - GF - BT

Describes a 3 1/2" Pharma-Flow Pressure Gauge, 0 to 160 psi, 2" tri-clamp fitting, glycerine filled case, bottom mount.

EXAMPLE 2: 3P - DB - 15U - GF - BK

Describes a 3 1/2" Pharma-Flow Pressure Gauge, 0 to 100 psi/0 to 7 BAR, 1 1/2" tri-clamp fitting, glycerine filled case, back mount.

EXAMPLE 3: 3P - M - 2H - GF - LF

Describes a 3 1/2" Pharma-Flow Pressure Gauge, 30" Hg to 30 psi, 2" G&H "H" line fitting, glycerine filled case, left side mount.

EXAMPLE 4: 5P - GK - 25I - GF - RT

Describes a 5" Pharma-Flow Pressure Gauge, 0 to 300 psi/0 to 28 Kg/cm², 2 1/2" male I-line fitting, glycerine filled case, right side mount.

MODEL NUMBER CONSISTS OF:

SERIES - PRESSURE - FITTING - FILLED CASE - MOUNT RANGE

3P - D - 2U - GF - BT

Please make a selection from each category below:

SERIES

- 2P - 2 1/2" (63mm) Pharma-Flow Pressure Gauge
3P - 3 1/2" (90mm) Pharma-Flow Pressure Gauge
5P - 5" (120mm) Pharma-Flow Pressure Gauge

PRESSURE RANGE*

- B - 0 to 30 psi (2 BAR)
C - 0 to 60 psi (4 BAR)
D - 0 to 100 psi (7 BAR)
E - 0 to 160 psi (11 BAR)
F - 0 to 200 psi (14 BAR)
G - 0 to 300 psi (21 BAR)
H - 0 to 400 psi (28 BAR)
I - 0 to 600 psi (41 BAR)
K - 0 to 1,000 psi (70 BAR)
M - 30" Hg to 30 psi (-1 to 2 BAR)
N - 30" Hg to 60 psi (-1 to 4 BAR)
O - 30" Hg to 100 psi (-1 to 7 BAR)
P - 30" Hg to 150 psi (-1 to 10 BAR)
Q - 30" Hg to 200 psi (-1 to 14 BAR)
R - 30" Hg to 300 psi (-1 to 21 BAR)

*Standard scales are in PSI only. For dual scales, after the pressure range add letter B for PSI/BAR, K for PSI/Kg/cm², P for PSI/KPa.

FITTINGS

(Fittings available in 1 1/2", 2", 2 1/2", 3")

- H - G&H "H" Line Male
I - Cherry-Burrell Male I-Line
K - APC "K" Clamp
Q - Cherry-Burrell Q-Line
U - Tri-Clamp®

(Specify size, then fitting type such as 1 1/2"U for a 1 1/2" Tri-Clamp fitting.)

For other fittings please consult factory.

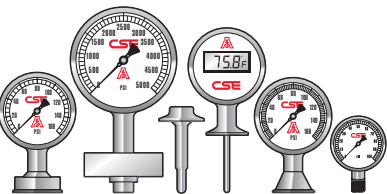
FILLED CASE

- GF - Glycerine Filled
NF - No Fill (Dry Case)
04 - Other (Specify)

MOUNT

- BT - Bottom Mount
RT - Right Side Mount
LF - Left Side Mount
TP - Top Mount
BK - Back Mount

Visit our website or request a catalog to see our complete line of high quality, precision products including: Sani-Flow Pressure Gauges, Homogenizer Pressure Gauges, Industrial Stainless Steel Pressure Gauges, Digital Thermometers, Pharma-Flow Pressure Gauges, Chem-Flow Pressure Gauges and Thermowells.



DISTRIBUTED BY:

For more information or for a distributor in your area, contact us:

Chicago Stainless Equipment
800-927-8575
www.chicagostainless.com
ppg@chicagostainless.com