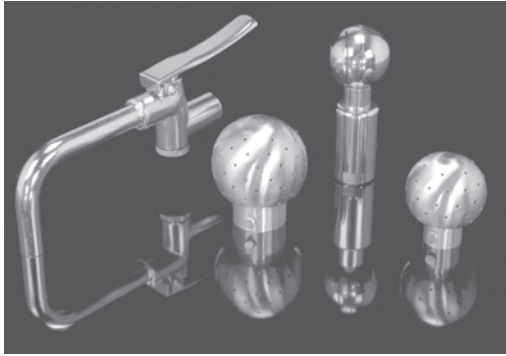
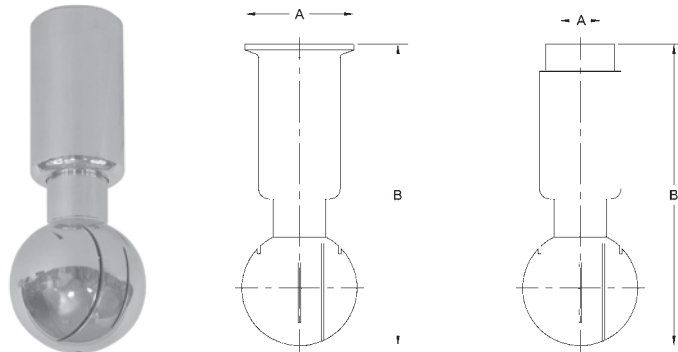


# Spraying Equipment



## Rotating Spray Balls

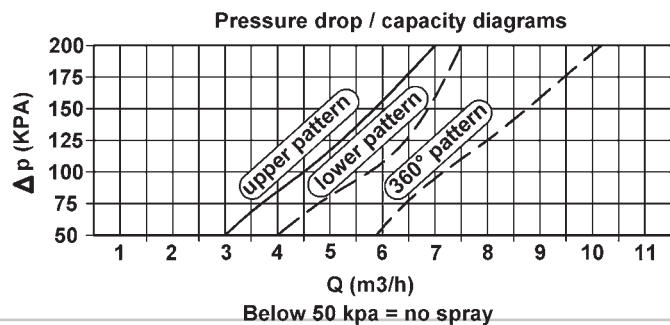
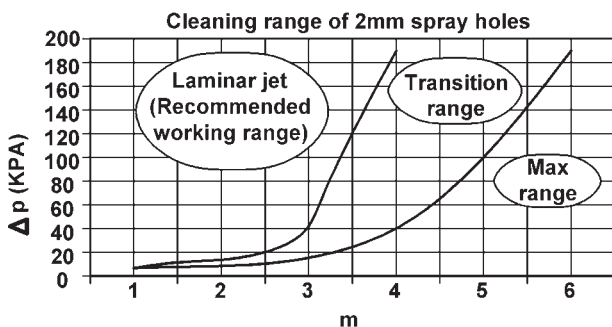
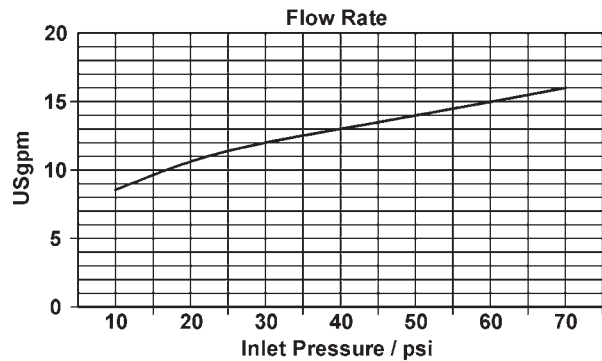
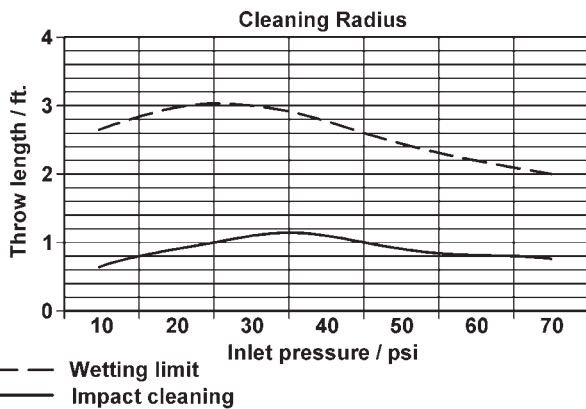
- 316L stainless steel
- Stainless steel ball bearings to eliminate rust
- Ideal for cleaning all types of tanks and vessels
- Cleaning solution used to lubricate unit
- Connections available: Clamp and NPT
- Mirror-like finish (ID/OD)



Size	Spray Pattern	Type	Part Number	Dimensions (in)	
				A	B
3/4"	360°	NPT	SRH360NPT-R075	3/4" NPT	5.46
1 1/2"	360°	NPT	SRH360NPT-R150	1 1/2" NPT	5.46
1 1/2"	360°	Clamp	SRH360CMP-R150	1.984	5.46

**Note:** All dimensions are in inches. Dimensions are approximate. Engineering dimensions are available upon request. Specifications are subject to change without notice.

## Technical Data: Fixed Spray Balls, 2mm holes



Below 50 kpa = no spray

S