



CAPABILITIES FOR PHARMACEUTICAL VESSEL FABRICATION

Walker Stainless can design and fabricate vessels for pharmaceutical and biopharmaceutical applications including:

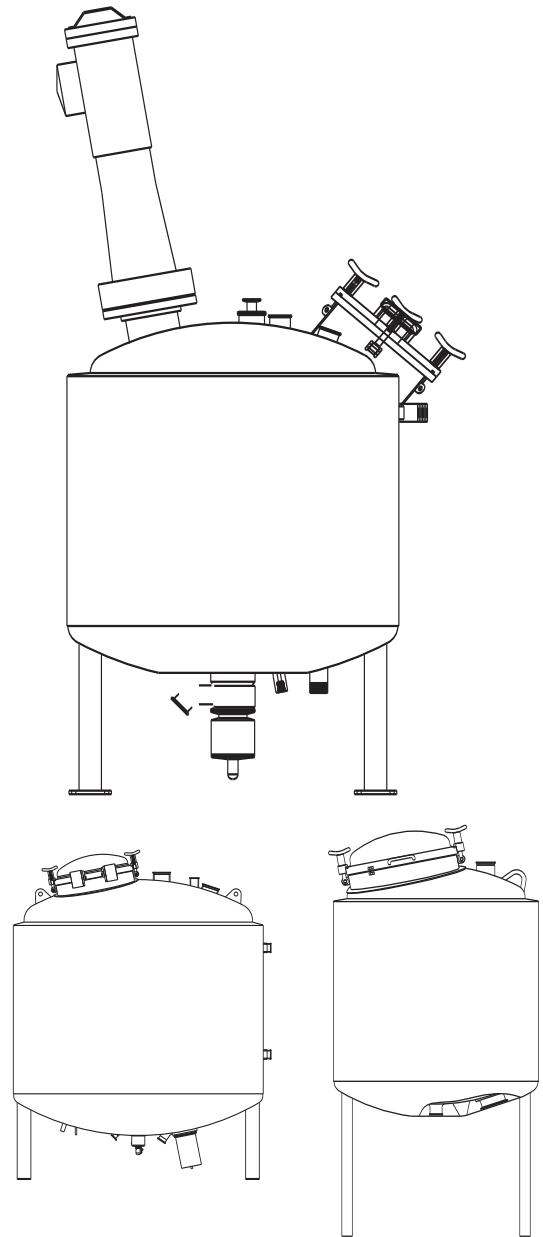
- formulation or compounding vessels
- jacketed kettles
- pressure transfer tanks
- atmospheric transfer tanks
- buffer prep/solution tanks
- storage and process vessels
- WFI tanks
- bio-reactors
- CIP tanks
- mix tanks

MATERIALS OF CONSTRUCTION

- 304
- 316L
- 317L
- Hastelloy[®]
- AL 6XN[®]

VESSEL DESIGN

- Vessels designed to appropriate codes including ASME, CRN & PED
- Heat transfer jackets including half pipe, dimple or conventional jacket





CAPABILITIES FOR PHARMACEUTICAL VESSEL FABRICATION

COMPREHENSIVE DOCUMENTATION PACKAGE

The following can be included upon request:

- ASME Data Report
- Vessel Drawing
- ASME Calculations
- Weld Procedure Specifications (WPS's)
- Procedure Qualification Records (PQR's)
- Welder Certifications
- Material Test Reports
- Certificates of Compliance
- ASME Hydrostatic Test, Procedure
- ASME Hydrostatic Test, Inspection Report
- Surface Finish Certificate
- Drainability Certificate
- Sprayball Coverage Test Report
- Sprayball Coverage Test Procedure
- Sprayball Coverage Test Certification
- Electropolish Report
- Passivation, Standard Operation Procedure
- Passivation Certificate

FULL SERVICE FAT AVAILABLE AS REQUESTED INCLUDING:

- hydrotest
- drainability
- surface finish measurement
- riboflavin coverage test

